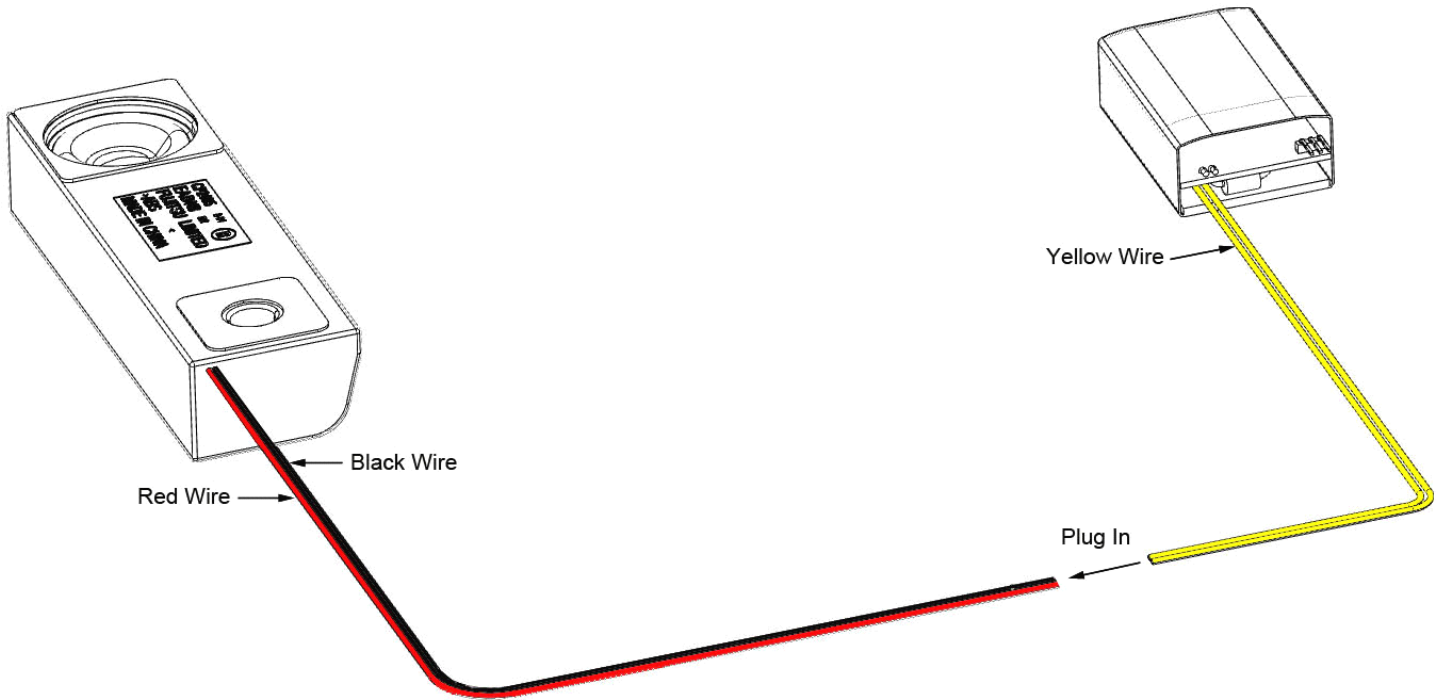


Semi Truck Sound Unit

1. Connecting the Sound Speaker.

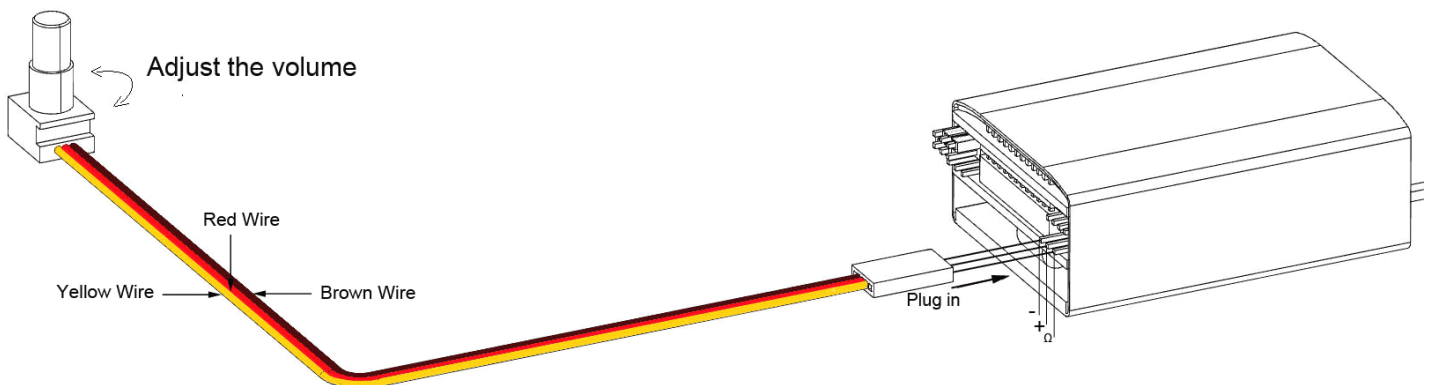
(Speaker and wires may have a small difference refer to product.)



Please add your own connector. No connector is included on the Electronic Module to hook up the Sound Speaker. So you will want to solder and heatshrink the connections.

Yellow wires are connected to the red and black of the Sound Speaker. Yellow wires have no marking, so they can hook up anyway to the red and black wires of the Sound Speaker.

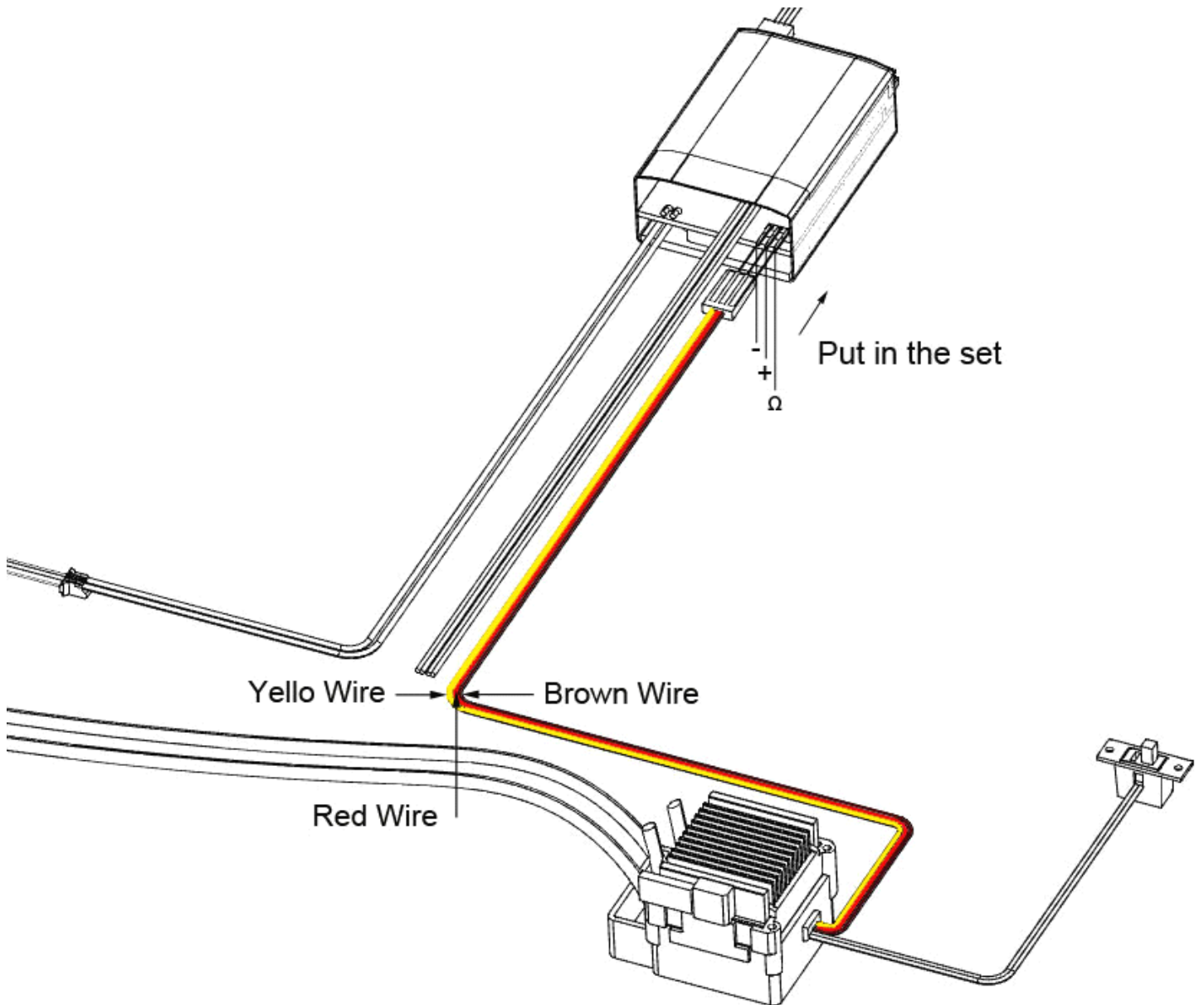
2. Volume Controller



This unit allows you to adjust the volume of the Sound Speaker. Its an easy finger

Semi Truck Sound Unit

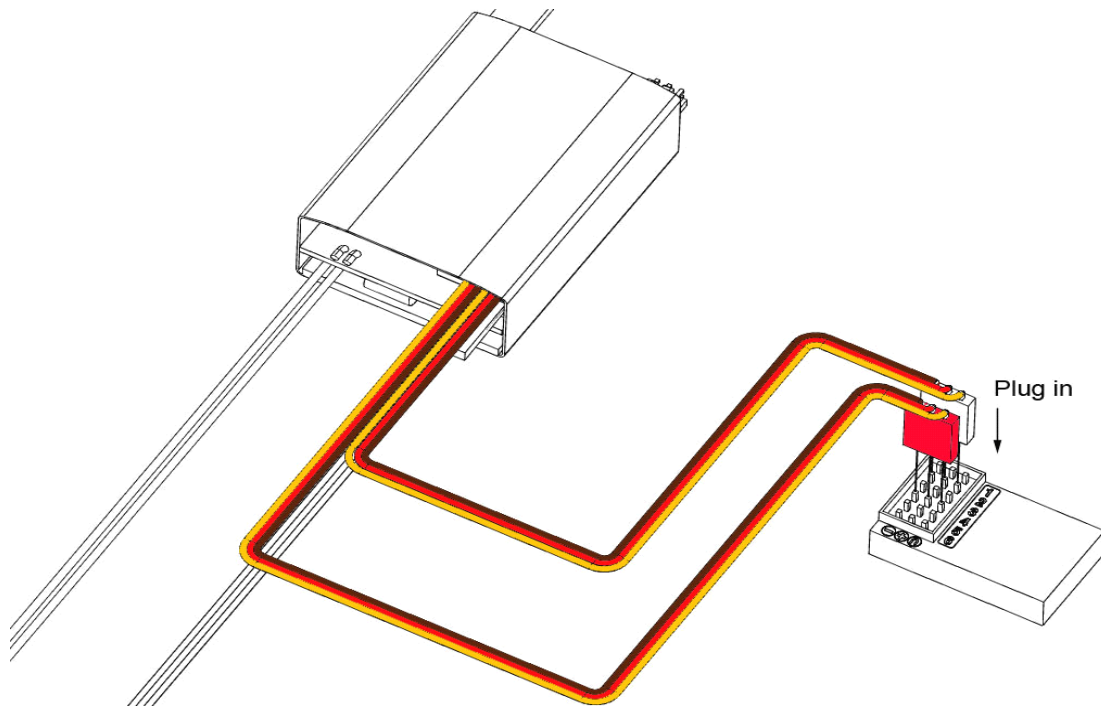
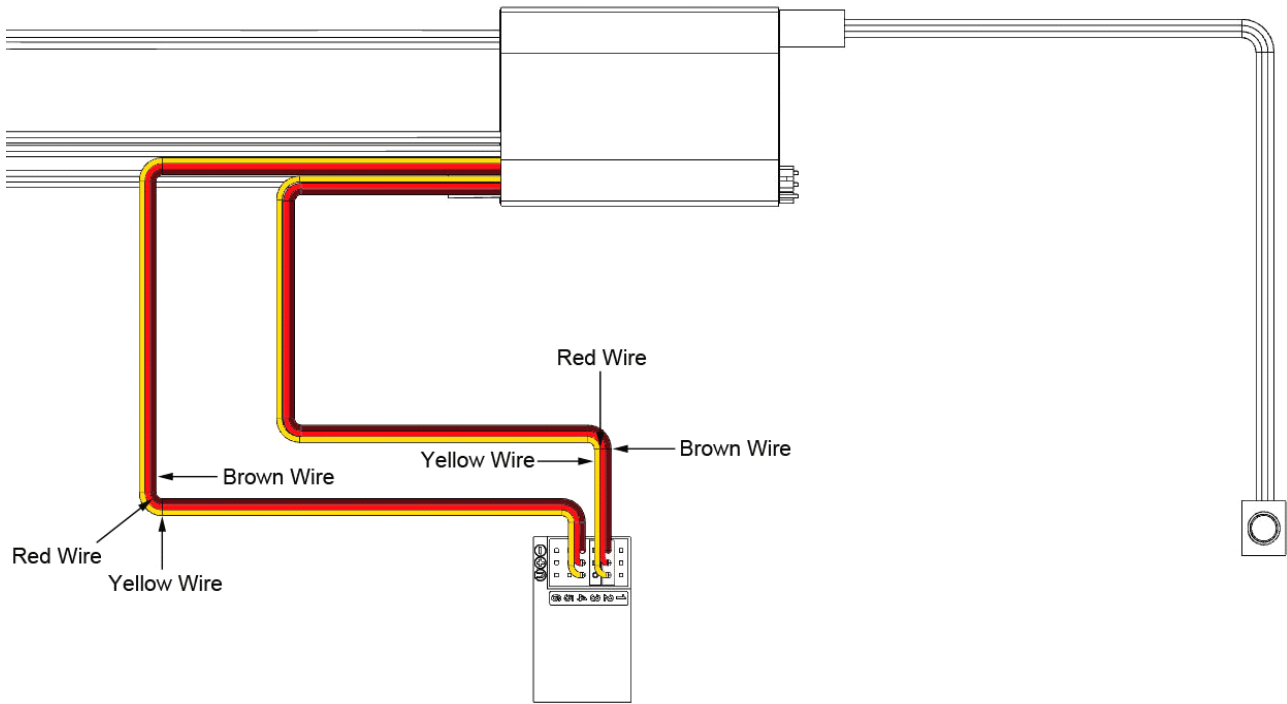
3. ESC Connection



Connect here, make sure its in the correct order. Note the black negative wire should be on the right as noted in the image.

Semi Truck Sound Unit

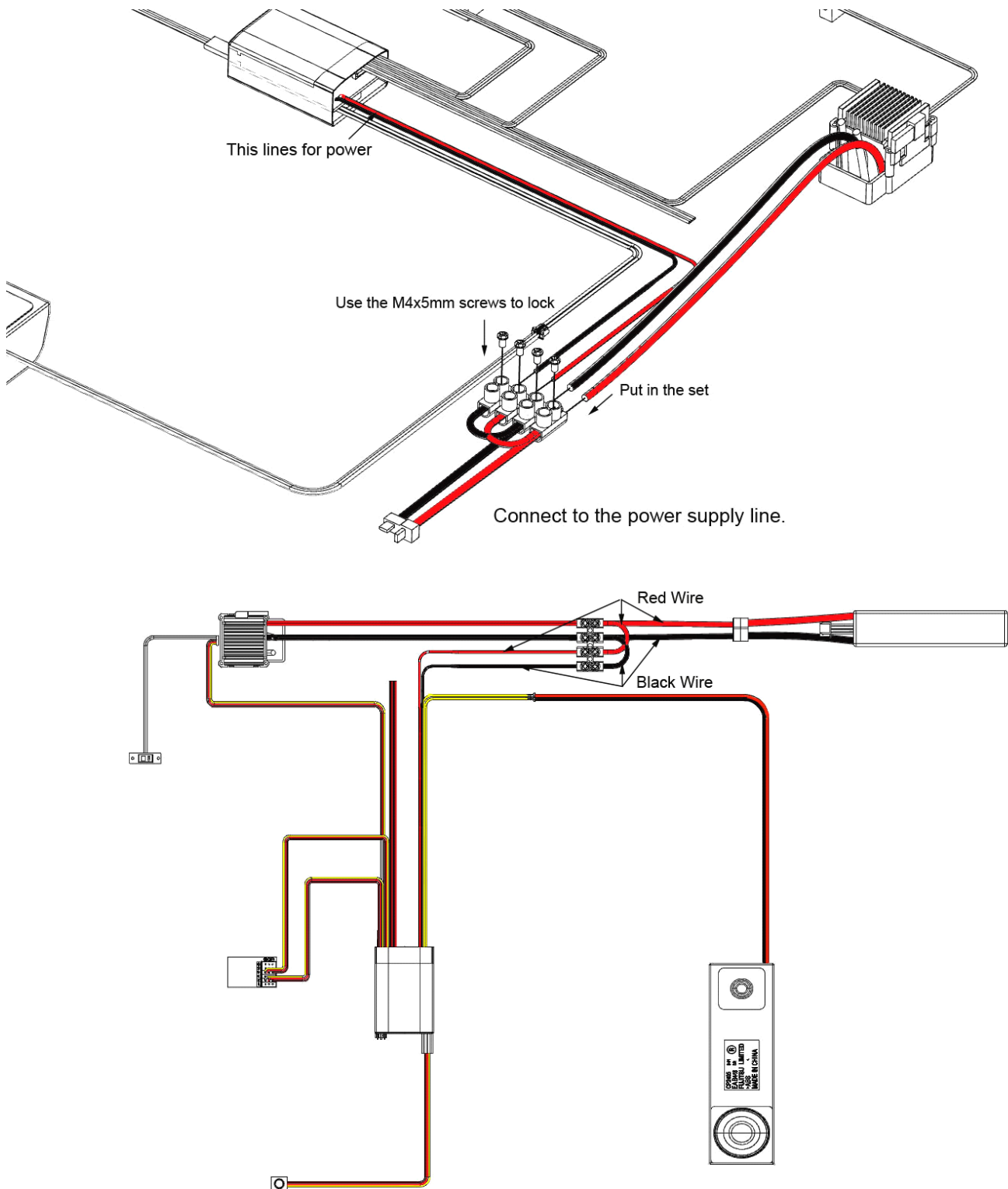
4. Connecting the Receiver.



The receiver wires with the red plug connects to either the third or fourth channel of your receiver. This allows you to turn the sound system on and off. The receiver wires with the white plug connects to the 2nd channel. This controls the sound of the throttle when the sounds system is turned on.

Semi Truck Sound Unit

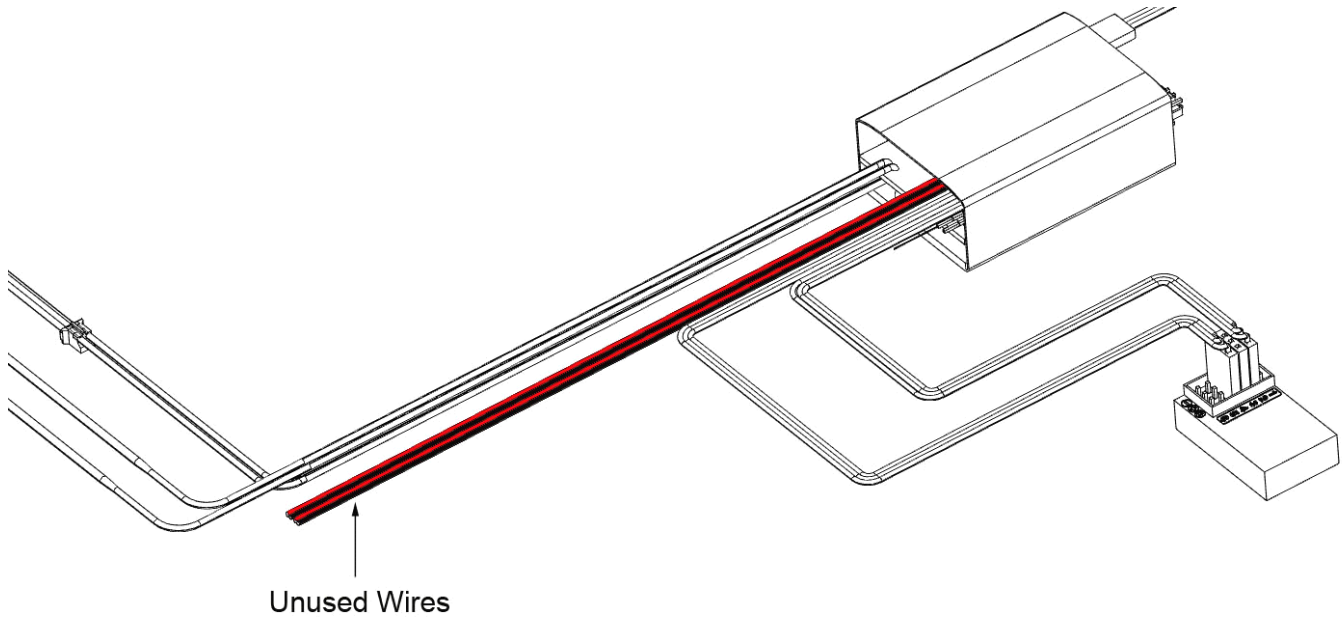
5. Connecting the power to the unit.



You can combine the power of the ESC and Sound Unit into one connection to your power source. Always keep in mind that Red is positive and Black is negative. (Any mistake here can cause permanent damage)

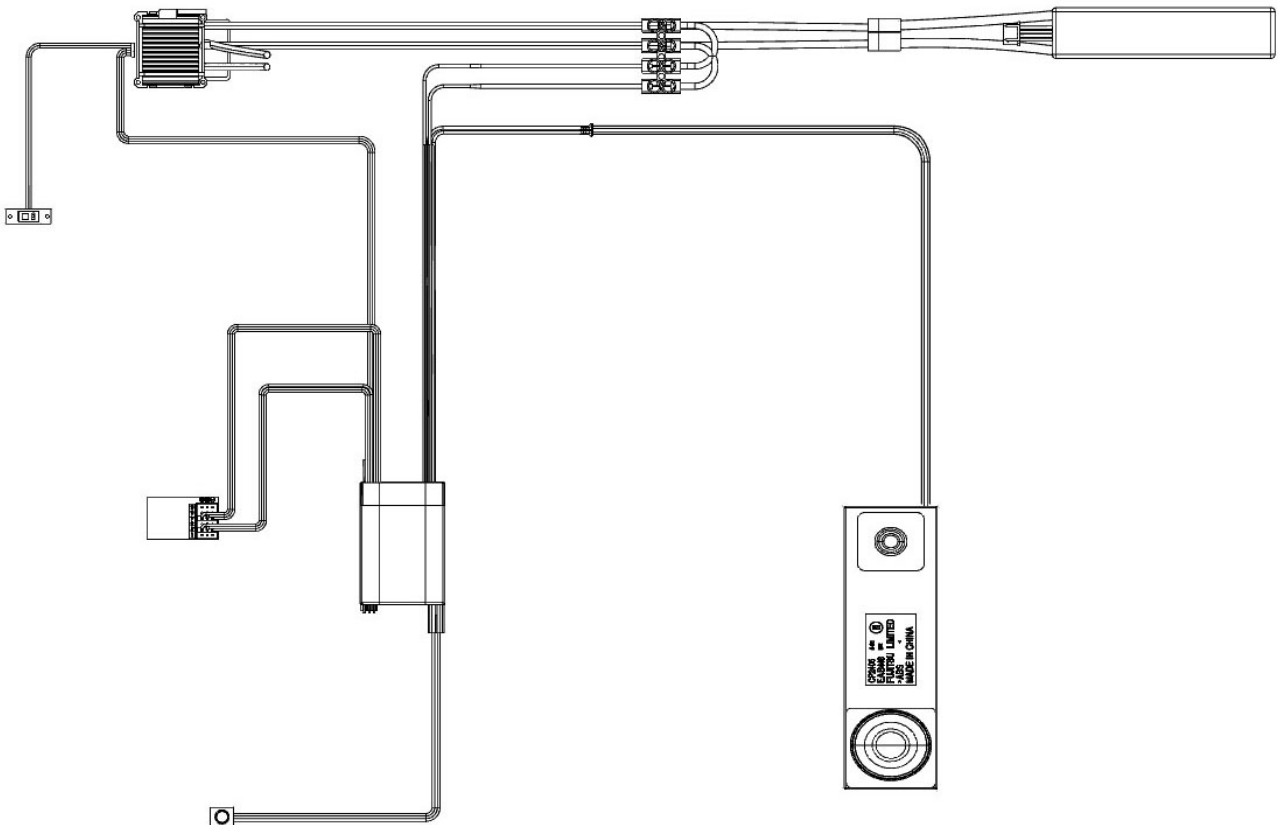
Semi Truck Sound Unit

6. Unused Wires



The wires shown are not used for this configuration. You can shorten them if you wish. Make sure that the wires do not touch.

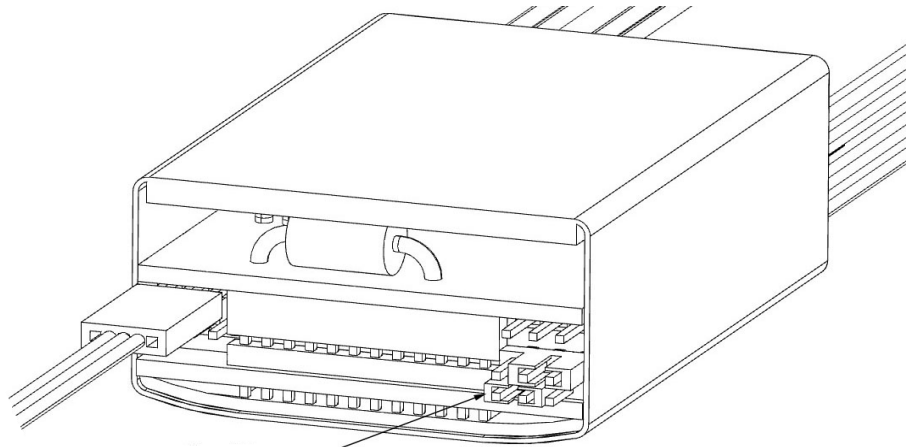
7. Complete Setup Overview



Semi Truck Sound Unit

These step shows you how you can alter the sounds of the Sound Speaker.

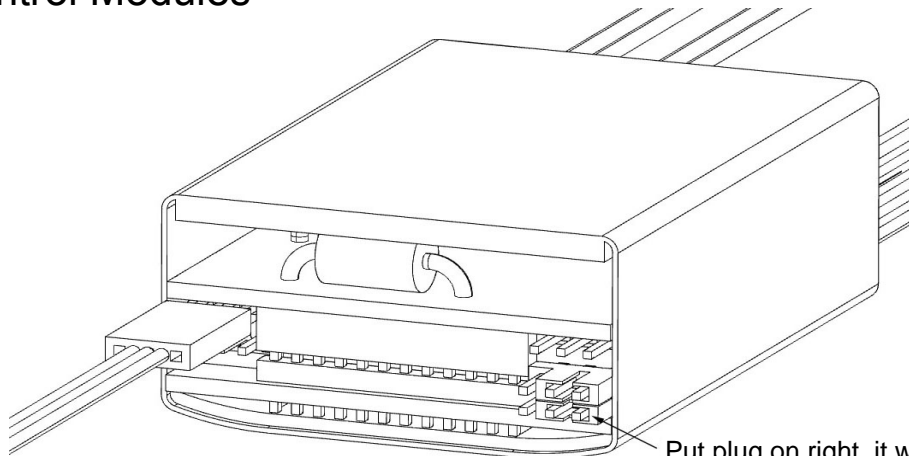
8. Sound Control Modules



Put plug on left, it will be V8

This setting shown will allow for 8 Cylinder Diesel Truck Sound with an Air horn.

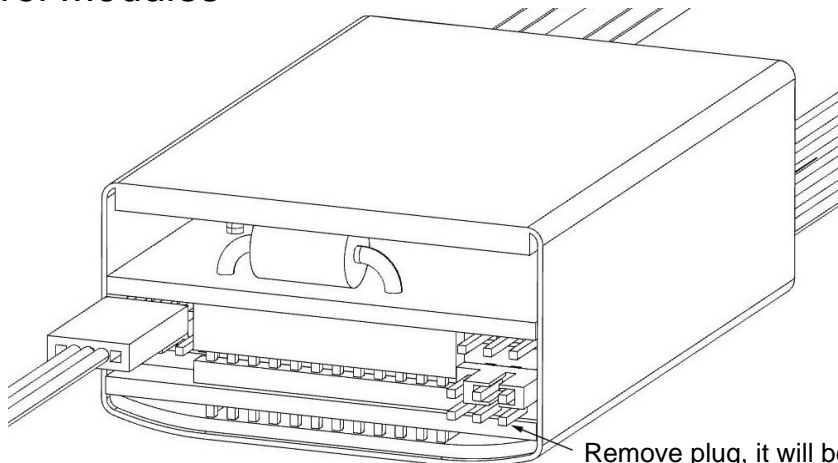
9. Sound Control Modules



Put plug on right, it will be L6

This setting shown will allow for 6 Cylinder Diesel Truck Sound with an Air horn.

10. Sound Control Modules



Remove plug, it will be V6

This setting shown will allow for 6 Cylinder Diesel Truck Sound with an Air horn.

Semi Truck Soud Unit

11. These setting shown will allow for Air Brakes.

